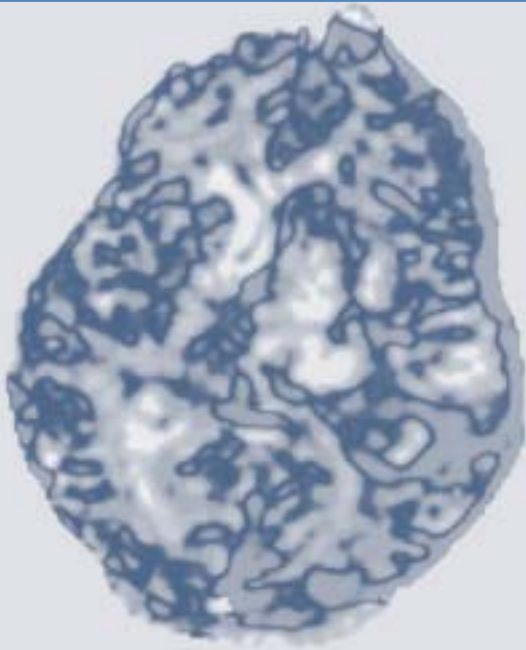




# *SPECTRIS<sup>®</sup> SOLARIS<sup>™</sup>*

*MR Injection System*

*CONTRAST DELIVERY AS VERSATILE  
AND SOPHISTICATED AS YOU NEED IT TO BE*



3.0	20
Duration 00:35	Programmed A+B ml 55.0

**medRAD<sup>®</sup>**

Home	Setup	Help
------	-------	------

## Taking MR Power Injection to the Next Level

As the world's leading provider of vascular injection systems, Medrad continues the tradition of offering products built on unmatched market experience and designed from a customer's perspective. We engineered *Spectris Solaris* with our finger on the pulse of the medical industry, meeting the needs of our customers who told us to "make it smart, but keep it simple."

With *Spectris*<sup>®</sup>, our customers acquired a clear advantage in precision, consistency and image quality. Now, in the rapidly advancing industry, you can seize the technological edge with *Spectris Solaris*—contrast delivery as versatile and sophisticated as you need it to be.



*Spectris Solaris* MR Disposable Syringe Kit

Flow Rate  
ml/s

**3.0**

Volume  
ml

**1.0**

# THE NEW STANDARD

## in MR Power Injection Systems

### Space-Efficient Components

With only two streamlined components, *Spectris Solaris* is one of the industry's most compact power injection systems.

- Two space-saving components permit neat, versatile installation.
- Injector head component provides free movement for fast and easy positioning to either side of the table.
- Fiber optic cable enables direct, reliable communication.
- A single battery operates the injector head and is conveniently located in the integrated base, while a second battery resides in the remote charger.
- Optional second Hand Switch can be placed either at the Control Unit or at the Injector Head.

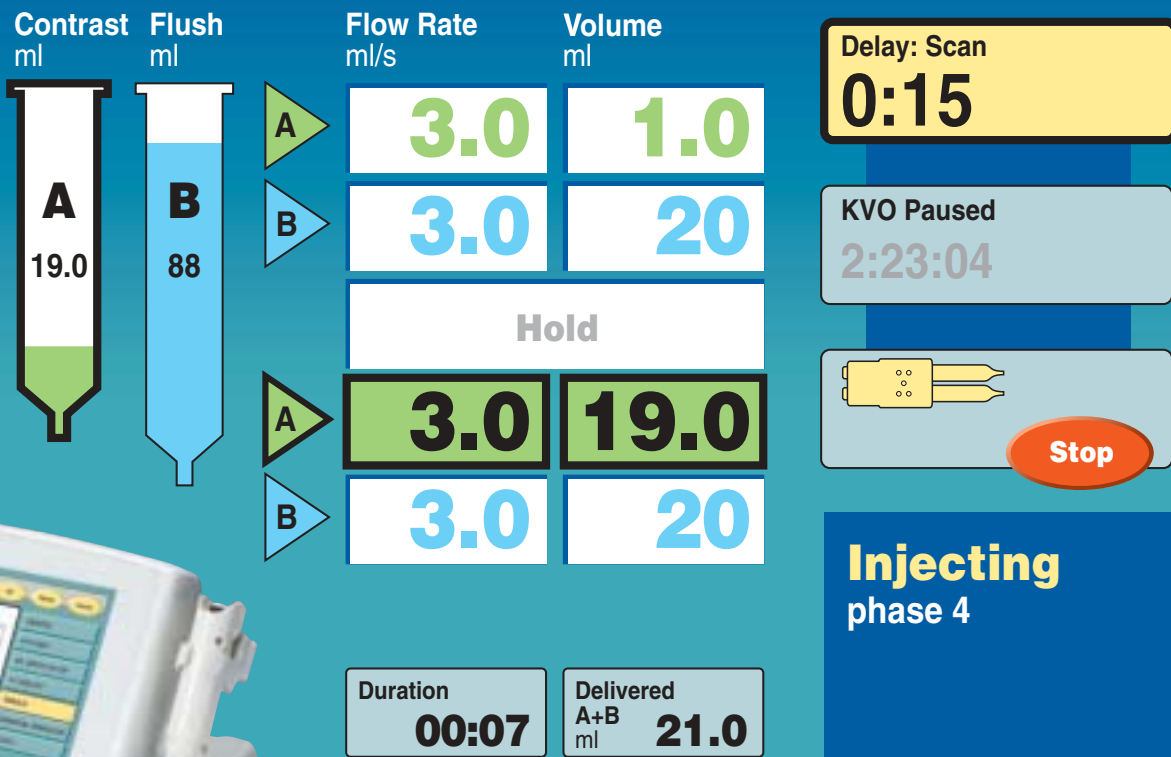
### Integrated Injection System with Contrast-Efficient Disposables

*Spectris Solaris* echoes the proven performance of our original power injector by providing the industry's most contrast-efficient disposable system, maximizing contrast delivery.

- Precision 65ml contrast and 115ml saline syringes are designed as an integral part of the total fluid delivery system.
- The clear barrel design with molded *FluidDots*<sup>®</sup> help detect the presence of air in a syringe.
- Design of disposable low pressure tubing eliminates dead space in the "T" connection that can waste contrast.



## PROTOCOL NAME



Functionally ordered layout and color-coding allows rapid assessment of injection status.

### Optimized Touch-Screen with Fewer Keystrokes

We designed every feature of our color touch screen to be easy to program and understand.

- Large numeric displays provide at-a-glance identification of Flow Rate, Volume, Scan Delay, Inject Delay and Elapsed Time.
- Graphical depiction of syringe supports quick check of fluid levels.
- Key size and placement enable fast, accurate entry of precise values.
- Flexible Keypad entry saves set up time. Difficult to achieve with Slide bar.

### Multi-Phase Injection Control

Spectris Solaris offers one of the most flexible platforms in the world-wide market place, satisfying the rapidly changing clinical MR environment.

- Six user-programmable phases let you tailor and control injection protocols, from the basic to the most sophisticated MR study.
- Ability to program fractional volumes with increased accuracy and contrast efficiency.
- Capability to store and recall injection protocol with integrated test injection reduces set-up time, expense and potential for error.

### Superior Keep Vein Open (KVO) Capability

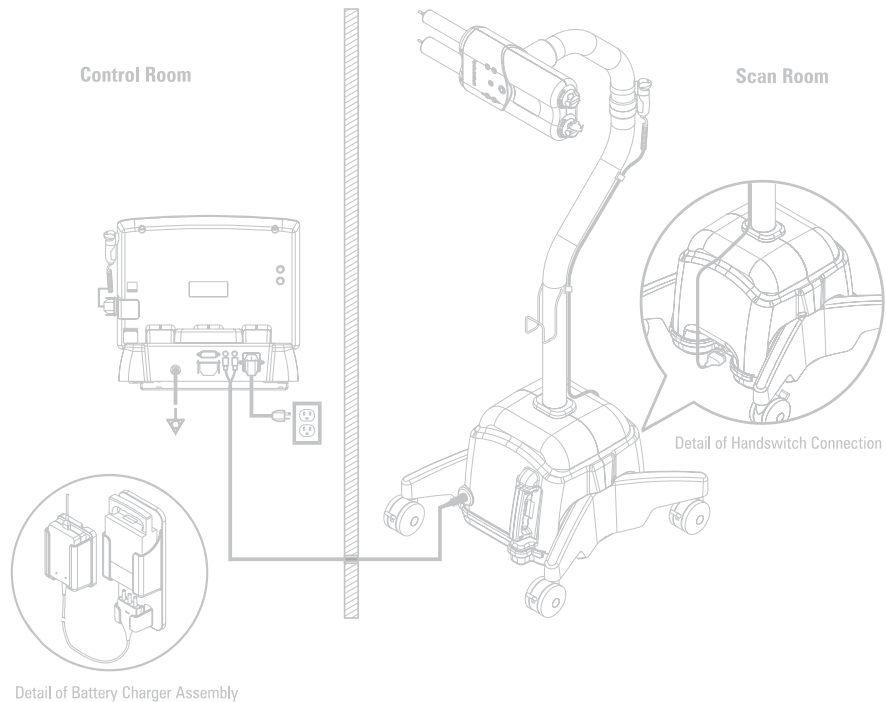
Spectris Solaris includes features that specifically support the efficient use of KVO.

- KVO functions independently from the injection profile, enabling superior control and clear indication of status.
- Large 115ml syringe holds sufficient saline for KVO and multiple injections.
- Saline flush for programmed injection reserved independently from KVO requirements.

# Stay In Step

Today's MRI environment demands easy, efficient contrast delivery that keeps pace with ever-evolving technology. Contact your local Medrad representative and learn how **Spectris Solaris** can provide all the versatility you want and all the sophistication you expect from the market leader.

For more information visit our website: [www.medrad.com](http://www.medrad.com)



## MEDRAD®

The only source for Medrad Engineering, Medrad Quality, Medrad Service and Medrad Support.



Medrad is dedicated to continually improving the quality of all our products and services such that our customers' satisfaction, loyalty, and respect are unsurpassed. It is our policy to clearly understand and agree upon the valid requirements of the work we perform for our customers, both internal and external, and to pursue 100% conformance to those requirements...on time, every time.

Medrad reserves the right to modify the specifications and features described herein, or discontinue manufacture of the product described at any time without prior notice or obligation. Please contact your authorized Medrad representative for the most current information.

Medrad, Inc. is EN-ISO 9001/EN 46001 Certified  
Medrad Europe B.V. is EN-ISO 9002/EN 46002 Certified

Medrad, Quality for Life, Q and design, Qwik-Fit Syringe, and Spectris are federally registered trademarks. Solaris is a trademark and Medrad is a service mark of Medrad, Inc. U.S.A.

**Medrad, Inc.**  
One Medrad Drive  
Indianola, PA 15051-0780 USA

**Customer Service/Orders**  
1-800-MEDRAD-1  
(1-800-633-7231)

**Customer Service FAX**  
(412) 767-4120

**International FAX**  
(412) 767-4128

**www.medrad.com**

E-mail address for more information:  
info@medrad.com

### Components

Components	Dimensions
<b>Control Room Unit</b>	11.995" (30.46 cm) W (screen up)
<b>Base Unit</b>	11.80" (29.97 cm) W (screen up) 10.922" (27.91 cm) H (screen & base) 9.25" (23.5 cm) H (screen up) 10.5" (26.67 cm) D
<b>Battery Pack</b>	2.375" (6.0 cm) H 5" (12.7 cm) W 9.25" (23.5 cm) D
<b>Battery Charger with Bracket</b>	1.59" (4.03 cm) H 3.05" (7.74 cm) W 5.08" (12.90 cm) D
<b>Scan Room Unit</b>	52.25" (132.71 cm) H 19.25" (48.89 cm) W 21.5" (54.61 cm) D

### Electrical

<b>Electrical</b>	100-240 VAC
<b>Requirements</b>	50-60 Hz 50 VA
<b>Electrical Leakage</b>	Unit < 100 microamperes Patient < 10 microamperes

### Disposable MR Syringe Kit for Spectris Solaris

<b>Catalog Number</b>	SSQK 65/115vs
<b>Contents</b>	65 ml Qwik-Fit Syringe® disposable for Contrast Media 115ml Qwik-Fit Syringe® disposable for Saline 1 Large Spike for Saline 1 Small Spike for Contrast Media 96" Low Pressure Connector Tube with T-connector and Check Valve

### System Capabilities

<b>Volume:</b>	
<b>Syringe A</b>	0.5 ml to max. syringe volume in: 0.1 ml increments between 0.5 and 31 ml 1 ml increments for 31 ml and above
<b>Syringe B</b>	1 ml to max. syringe volume in: 1 ml increments
<b>Flow Rate (Programmable)</b>	0.01 to 10ml/s in: 0.01 ml/s increments between .01 and 3.1 ml/s 0.1 ml/s increments between 3.1 and 10 ml/s
<b>KVO (Programmable)</b>	15 seconds 20 seconds 30 seconds (default) 45 seconds 60 seconds 75 seconds
<b>0.25 ml pulsed every</b>	
<b>Pressure Safety Limit</b>	Factory set not to exceed 325 psi (2240 kPa)
<b>Delay</b>	1 to 300 seconds in 1 second increments
<b>Pause Phase</b>	1 to 900 seconds in 1 second increments
<b>Injection Capabilities</b>	6 phases per protocol
<b>Storage Capacity</b>	32 protocols of up to 6 phases each
	<i>Protocol and user configuration memory is maintained when system power is turned off</i>